



PRODUCT CODE

- EVR 120WS (SPOT)
- EVR 120WF (FLOOD)

INCLUDES
SEALED DEUTSCH
CONNECTOR



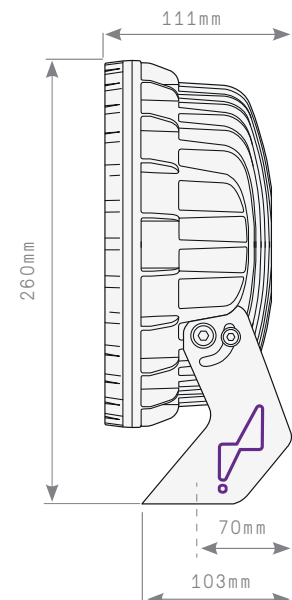
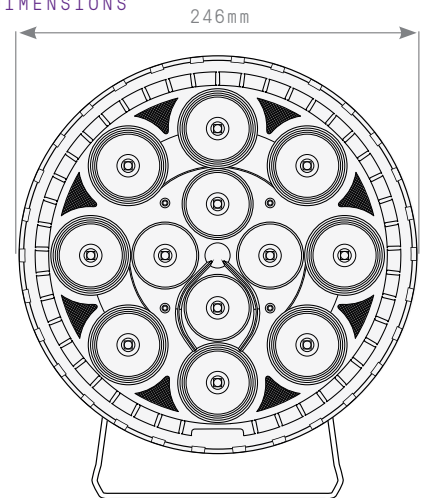
120 WATT / 18,000 LUMEN

XTREME XR12 DRIVING LIGHT

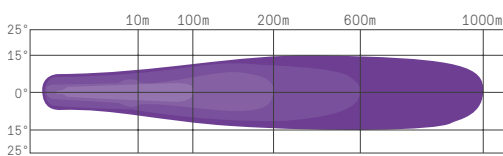
OVERVIEW

The Next Generation XR12 LED Driving Light generates a massive 18,000 raw lumens output for only 120 watts of load. At 246mm in diameter, this Black Monster is “the Mother” of all LED Driving Lights, with its unique - Purple engineered and fabricated Mounting System, it’s easy to install and adjust in the same locations and applications as most conventional driving lights. Available in spot or flood and is suitable for all land and marine applications.

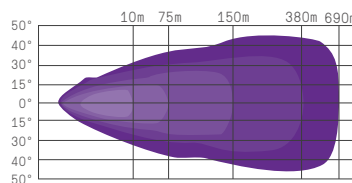
DIMENSIONS



SPOT BEAM



FLOOD BEAM



DETAILS

- 50,000 Hours Lifespan
- CREE 10W High-Powered LED Chips
- Runs on 9 - 36 V DC
- Durable UV 3800 Polyester Powdercoat
- Sealed Deutsch Connector with 450mm Cable Length
- Weight 3.1 kgs
- 30° Spot & 90° Flood Optic
- Operating Temperature -40°C to +125°C
- Electrically protected against RFI/EMC interference
- Heavy duty designed mounting bracket
- Ce & Rohs Compliant
- Vibration Certified
- IP68 Certified
- Over/under voltage protection
- 94% efficient for more light with less power and longer life