



F-FLOOD, S-SPOT



PRODUCT CODE

- EVR 10WS (SPOT)
- EVR 10WF (FLOOD)

INCLUDES
SEALED DEUTSCH
CONNECTOR



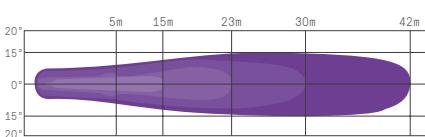
10 WATT each / 1,250 LUMEN
LED 'XTREME' XQ QUBE

OVERVIEW

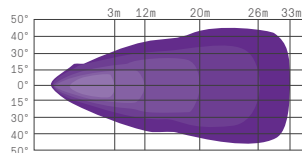
This 10-Watt LED was designed with flexibility in mind. The unique joining system allows you to join as many or as few individual LEDs together to form the size and shaped driving light of your choice. This high output LED with specifically designed circuitry to service under high temperatures making these lights ideal for heavy industry applications such as

mining and remote farming in the outback of our country. Supplied with all Stainless Steel screws and bolts these lights are also suited to Marine environments & applications, and are available in black, with either 30° Spot beam or 85° Flood beam. Suitable for most applications including trucks, 4*4 & light industrial applications.

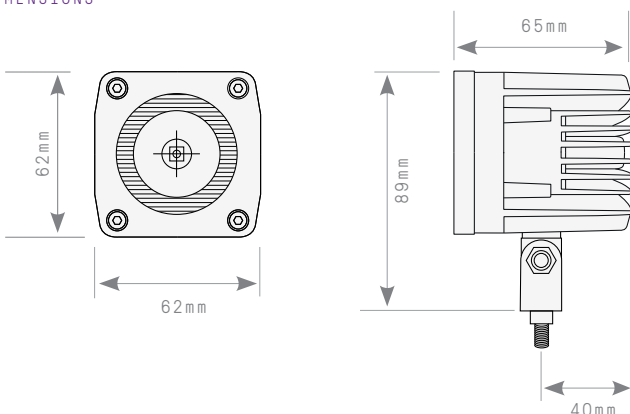
SPOT BEAM



FLOOD BEAM



DIMENSIONS



DETAILS

- 50,000 Hours Lifespan
- Cree 10W High-Powered LED Chips
- Abrasion Resistant, virtually unbreakable optically clear polycarbonate lens
- 94% efficient for more light with less power and longer life
- Sealed Deutsch Connector with 450mm Cable Length
- Runs on 9 - 36 V DC
- IP68 Certified
- 30° Spot & 85° Flood Optic
- Durable UV 3800 Polyester Powdercoat
- Wiring Operating Temp: -60° C to 130° C
- Operating Temp: -40° C to 125° C
- Over/under voltage protection
- Electrically protected against RFI/EMC interference
- CE & RoHS Compliant
- 6063 Aluminium Extrusion
- Vibration certified