



PRODUCT CODE
- EVR MR 35WF (FLOOD)
(ONLY AVAILABLE IN FLOOD)

INCLUDES
SEALED DEUTSCH
CONNECTOR

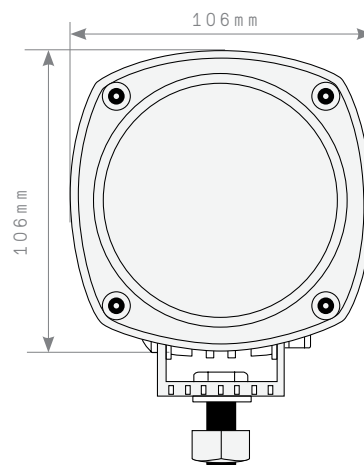


35 WATT / 5,000 LUMEN MARINE LED XW35M MARINE LIGHT

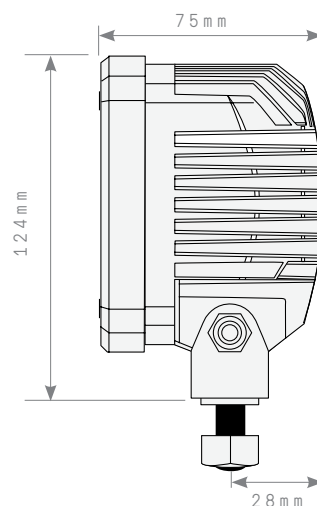
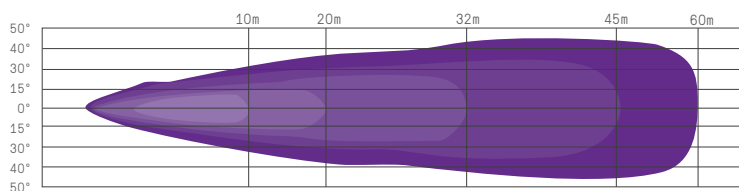
DIMENSIONS

OVERVIEW

The 35 watt light is a high output LED available in flood or spot. With specifically designed and vibration certified circuitry, to operate under extreme variance of temperatures, these lights are ideal for heavy industry applications such as mining and remote farming in the rugged Australian outback. Supplied with all Stainless Steel screws and bolts these lights are also suited to marine environments.



FLOOD BEAM



DETAILS

- 50,000 Hours Lifespan
- Cree 5W High-Powered Led Chips
- Runs on 9 - 32 V DC
- Durable UV 3800 Polyester Powdercoat
- Sealed Deutsch Connector with 450mm Cable Length
- 85° Flood (Only)
- IP68 Certified
- Vibration certified
- Electrically protected against RFI/EMC interference
- Operating temperature -40 C to +125 C
- Stainless steel mounting hardware
- OE & RoHS Compliant
- Available in Black or White