

F - FLOOD

PRODUCT CODE

- EVR 20WF (BLACK)
- EVR MR 20WF (WHITE)

INCLUDES
SEALED DEUTSCH
CONNECTOR



20 WATT each / 2,480 LUMEN

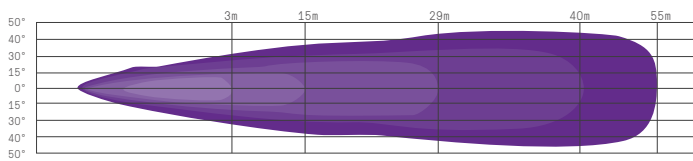
LED 'XTREME' XQ2 QUBE

OVERVIEW

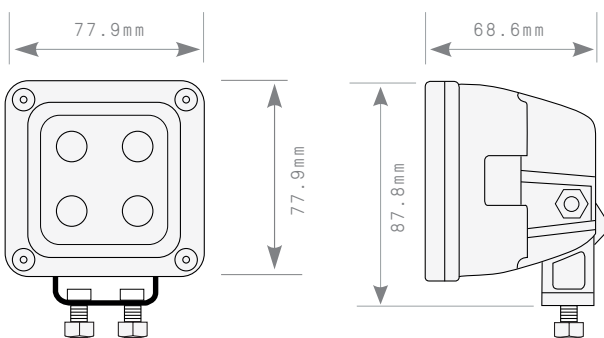
This 20-Watt LED is the "Big Brother" to the smaller 10 watt XQ Qube work light. Offering the same unique joining system, allowing you to assemble them into larger lights of any shape and wattage, with the convenience and flexibility to form a light that will fit those unique spaces with a higher output. This high output LED with specifically designed circuitry to operate under

extreme temperatures making these lights ideal for heavy industry applications such as mining and remote farming in the outback of our country. Available in 30° Spot or 85° Flood beam, these lights are suited to most vehicle applications including light to medium industrial applications. The stainless steel mounting hardware makes the light suitable for marine applications.

FLOOD BEAM



DIMENSIONS



DETAILS

- 50,000 Hours Lifespan
- Cree 5W High-Powered LED Chips
- Abrasion Resistant, virtually unbreakable optically clear polycarbonate lens
- 94% efficient for more light with less power and longer life
- Sealed Deutsch Connector with 450mm Cable Length
- Runs on 9 - 36 V DC
- IP68 Certified
- 30° Spot & 85° Flood Optic
- Durable UV 3800 Polyester Powdercoat
- Wiring Operating Temp: -60° C to 130° C
- Operating Temp: -40° C to 125° C
- Over/under voltage protection
- Electrically protected against RFI/EMC interference
- CE & RoHS Compliant
- 6063 Aluminium Extrusion
- Vibration certified